



# HUMIDITY

## ROOM, DUCT, AND OSA 5% HUMIDITY TRANSMITTERS A/RH5 SERIES

### DESCRIPTION

The **ACI A/RH5 Series relative humidity transmitters** are specifically designed for HVAC/BAS applications and have proportional 4 to 20 mA, 0 to 5 VDC, or 0 to 10 VDC output for 5% measurement. It is available for room, duct, outside, and stainless steel wall plate applications. The **A/RH5 Series** has on board DIP switches which allow the user to select the desired output signal and can be powered by AC or DC power sources.

### FEATURES

- Popular room housing
- Five-year warranty
- Duct and OSA twist-off NEMA 4 housing
- 24 VDC or 24 VAC power
- Field selectable current or voltage outputs
- Single point field calibration
- Optional temperature sensor



9

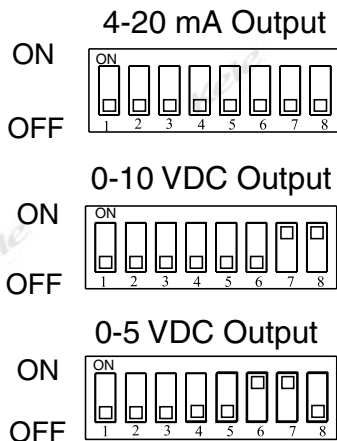
HUMIDITY

### SPECIFICATIONS

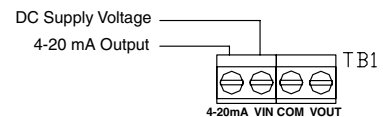
<b>Accuracy</b>	±5% @ 77°F (25°C) from 10% to 95%	<b>Duct</b>	3.6" (9 cm) Ø head with 8.15" L (20 cm) probe 0.75" (1.9 cm) Ø
<b>Stability</b>	±2% RH/5 years	<b>OSA</b>	3.6" (9 cm) Ø head with 3.0" L (7.6 cm) probe 1.4" (3.6 cm) Ø
<b>Supply Voltage</b>	12-40 VDC or 18-28 VAC	<b>Enclosure</b>	Plastic Delta-style
<b>Signal Output</b>	4-20 mA @ 300Ω, 0-5/10 VDC @ 4kΩ min, (field selectable) except SP	<b>Room</b>	Plastic weatherproof
<b>Measurement Range</b>	0% to 100%	<b>Duct/OSA</b>	
<b>Sensing Technology</b>	Capacitive	<b>Weight</b>	
<b>Operating Temperature</b>		<b>Room</b>	0.22 lb (0.1 Kg)
<b>Room</b>	32° to 122°F (0° to 50°C)	<b>Duct</b>	1.2 lb (0.54 Kg)
<b>Duct/OSA</b>	-40° to 140°F (-40° to 60°C)	<b>OSA</b>	0.6 lb (0.27 Kg)
<b>Dimensions</b>		<b>SP</b>	0.2 lb (0.09 Kg)
<b>Room</b>	3.8"H x 2.8"W x 0.9"D (9.8 x 7 x 2.3 cm)	<b>Approvals</b>	CE, RoHS
		<b>Warranty</b>	5 years

### WIRING

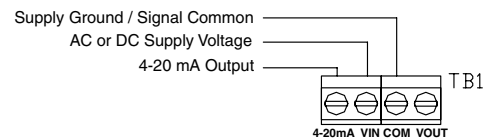
#### Output Selection Switches (SW 1)



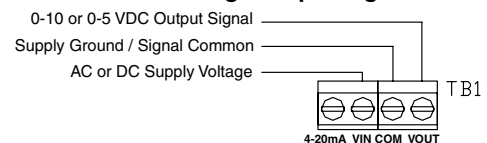
#### 2 Wire Current Output Signal



#### 3 Wire Current Output Signal



#### Voltage Output Signal

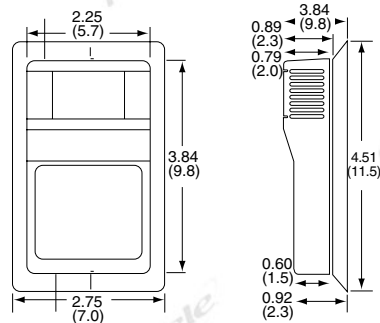




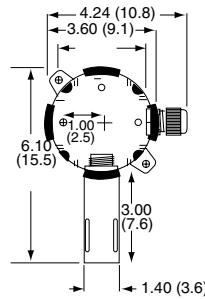
## ROOM, DUCT, AND OSA 5% HUMIDITY TRANSMITTERS A/RH5 SERIES

### DIMENSIONS

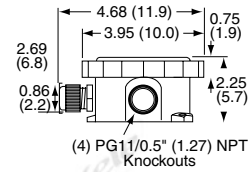
in  
(cm)



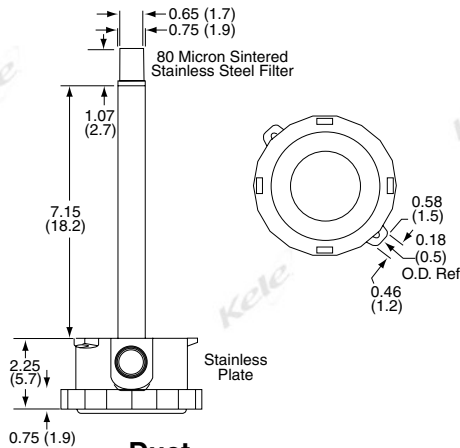
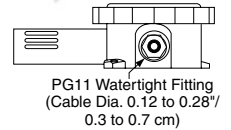
**Room**



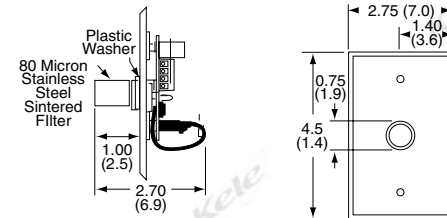
**Outside**



(4) PG11/0.5" (1.27) NPT Knockouts



**Duct**



**Stainless Plate**

Plastic Cover for Stainless Steel Filter to Protect Sensor during Wash Down

### ORDERING INFORMATION

MODEL	DESCRIPTION
A/RH5	5% accuracy humidity transmitter
	<b>OPTIONAL</b>
AN	Type III 10,000Ω thermistor
CP	Type II 10,000Ω thermistor
20K	20,000Ω thermistor
100	100Ω 385 PT RTD
1K	1,000Ω 385 PT RTD
	<b>REQUIRED</b>
R	Room
D	Duct
O	Outside air
SP	Stainless steel plate passive sensors only

**A/RH5 - 100 - R** Example: A/RH5-100-R A 5% accuracy room humidity transmitter with 100Ω RTD

### RELATED PRODUCTS

<b>DCP-1.5-W</b>	Power supply, 24 VAC IN to 24 VDC OUT
<b>DCPA-1.2</b>	Power supply, 120 VAC IN to 24 VAC/24 VDC OUT
<b>691-K0A</b>	Control transformer, 120:24 VAC, 40 VA, Class 2